

# ! IMPORTANT

Dometic Recall Information

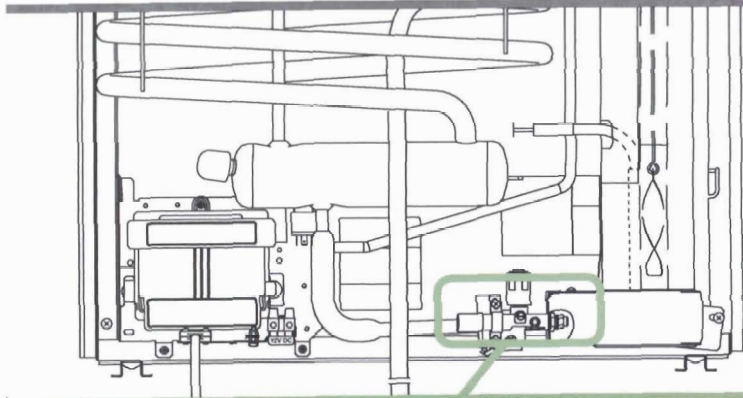
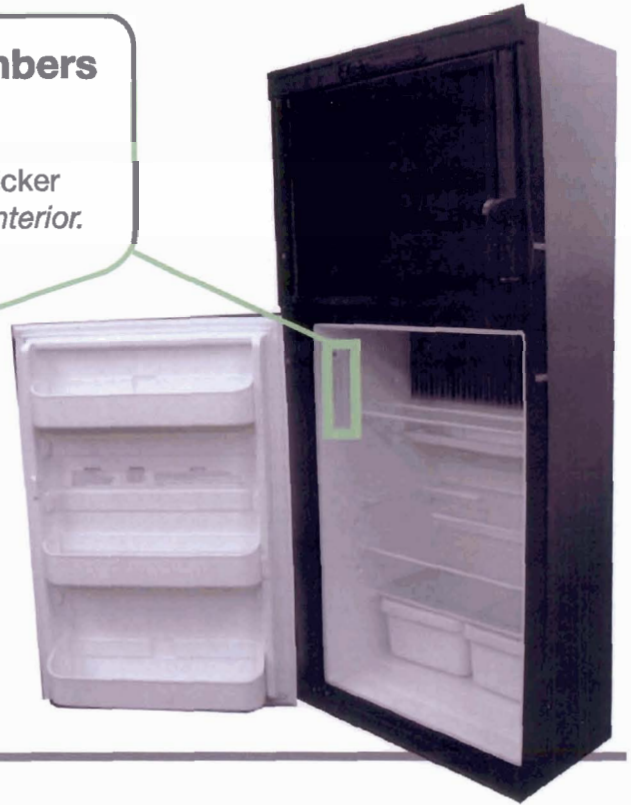
# SERIAL NUMBER/GAS VALVE INSTRUCTIONS

RECALL 06E-076

## Where to find the serial and model numbers on your Dometic refrigerator

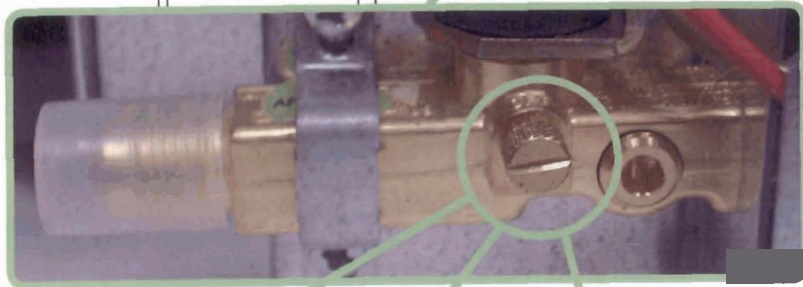
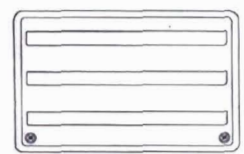
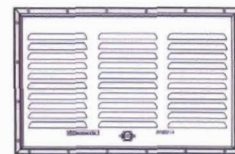
The serial and model numbers are both located on a sticker inside the fridge door. *It could be on either side of the interior.*

Remember, the model number starts with RM or NDR, and the serial number is 8 digits long.



## How to close the gas valve on your Dometic refrigerator

The manual gas valve is located at the back of your refrigerator near the floor as seen in the diagram to the left. Access the back of your refrigerator by removing the vent on the side of your coach. The vent will look like one of the two following illustrations:



Open



Turn Clockwise



Closed

The gas valve is opened and closed by adjusting a screw. To close the valve, use either your fingers or a flat-head screwdriver to turn the screw 1/4 turn clockwise.

The valve is closed if the flathead slot in the screw runs up and down. The valve is still open if the flathead slot in the screw runs side to side.